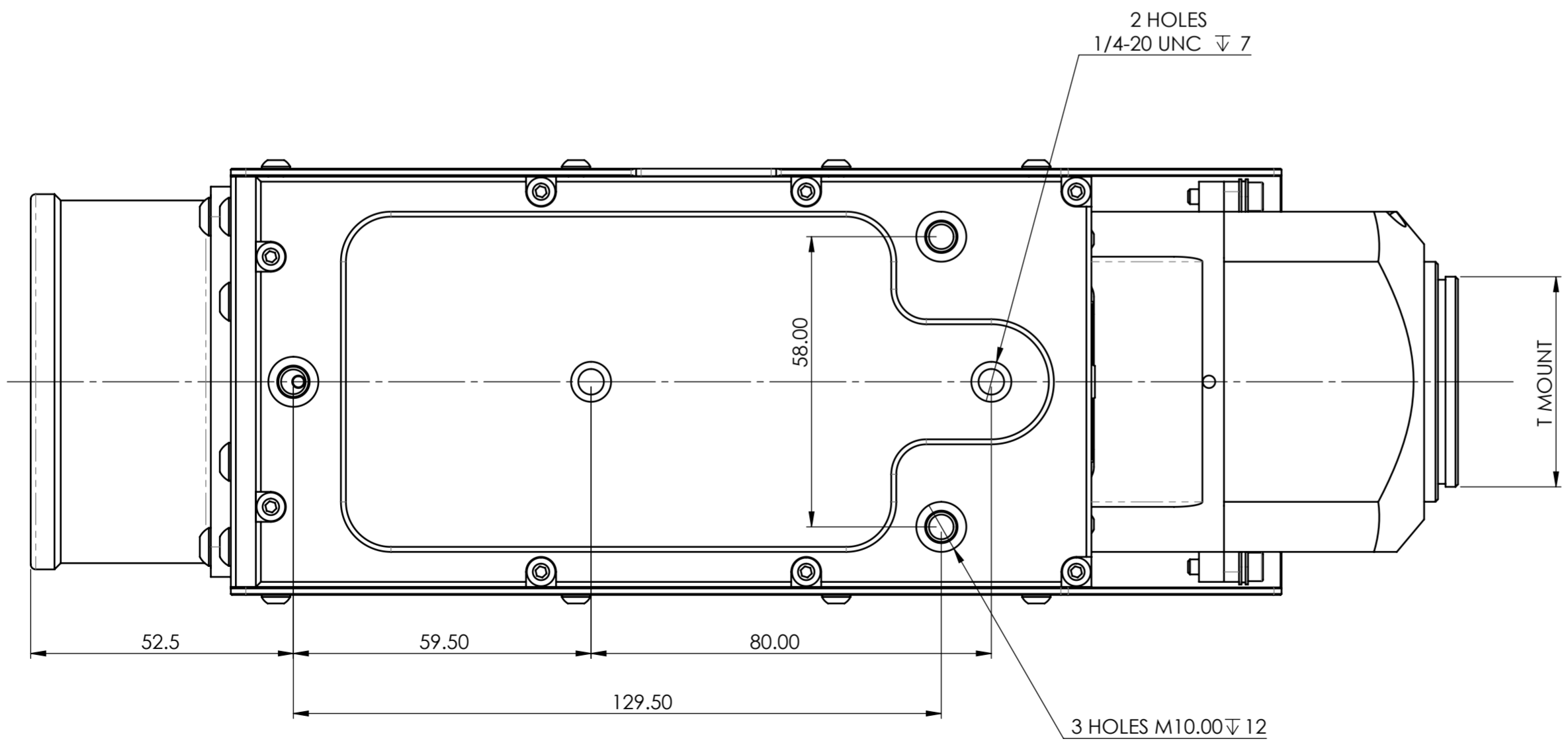


ELECTRICAL CONNECTOR  
14 WAY



CN7391	23/02/23	4
CN7304	24/01/22	3
CN7265	26/01/21	2
DRAWN	29/01/20	1
REF.	DATE	REV

TOLERANCES:  
UNLESS OTHERWISE SPECIFIED:  
LINEAR:- 0 ±0.5  
0.0 ±0.3  
0.00 ±0.1  
ANGULAR:- 0° ±2° 0.0° ±0.25°



**Beck Optronic Solutions**

DEBURR AND BREAK SHARP EDGES  
UNLESS OTHERWISE SPECIFIED

THESE DRAWINGS MAY NOT BE USED FOR ANY PURPOSE OUTSIDE THOSE  
EXPRESSLY AGREED WITH BECK OPTRONIC SOLUTIONS LTD.  
©BECK OPTRONIC SOLUTIONS 2022. ALL RIGHT RESERVED.

MATERIAL:

FINISH:

TITLE:  
**INTERFACE DRAWING  
53-530 SWIR ZOOM LENS**

	NAME	SIGNATURE	DATE	USED ON	-
DRAWN	JRB		23/02/23	WEIGHT:	2150.42
CHK'D	-		-		
APP'VD	-		-		

**CONFIDENTIAL**

DWG NO. **D1810-ID-004** **A2**  
DIMENSIONS IN mm SHEET 1 OF 1 SCALE: 1:1