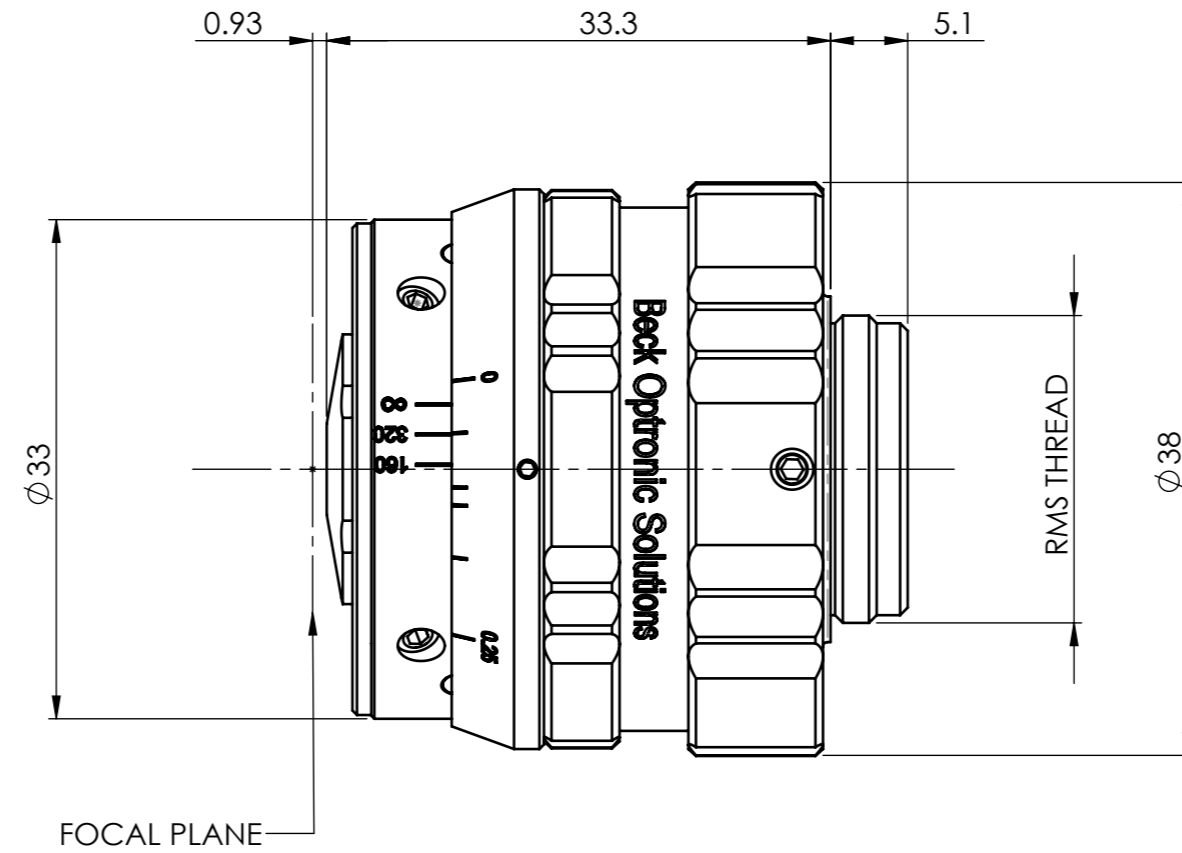


DO NOT SCALE DRAWING



NZ	26/11/2020	2
DRAWN	23/12/2014	1
REF.	DATE	REV

TOLERANCES:
 SURFACE FINISH 1.6µm Ra
 LINEAR:- 0 ±0.5
 0.0 ±0.3
 0.00 ±0.1
 ANGULAR:- 0° ±2° 0.0° ±0.25°
 UNLESS OTHERWISE SPECIFIED

DEBURR AND BREAK SHARP EDGES
 UNLESS OTHERWISE SPECIFIED

THESE DRAWINGS MAY NOT BE USED FOR ANY PURPOSE OUTSIDE THOSE
 EXPRESSLY AGREED WITH BECK OPTRONIC SOLUTIONS Ltd.
 © BECK OPTRONIC SOLUTIONS 2020. ALL RIGHTS RESERVED.



MATERIAL:				FINISH:		TITLE:	
	NAME	SIG	DATE	USED ON	-	X74/0.65NA REFLECTING OBJECTIVE	
DRAWN	JRB		23/12/2014	WEIGHT	115.84	D5007-ID-001	
CHK'D	-		-			A3	
APP'D	-		-			DIMENSIONS IN mm	

CONFIDENTIAL

DWG NO.		SCALE: 2:1	
D5007-ID-001		SHEET 1 OF 1	

PRINTED 26 November 2020