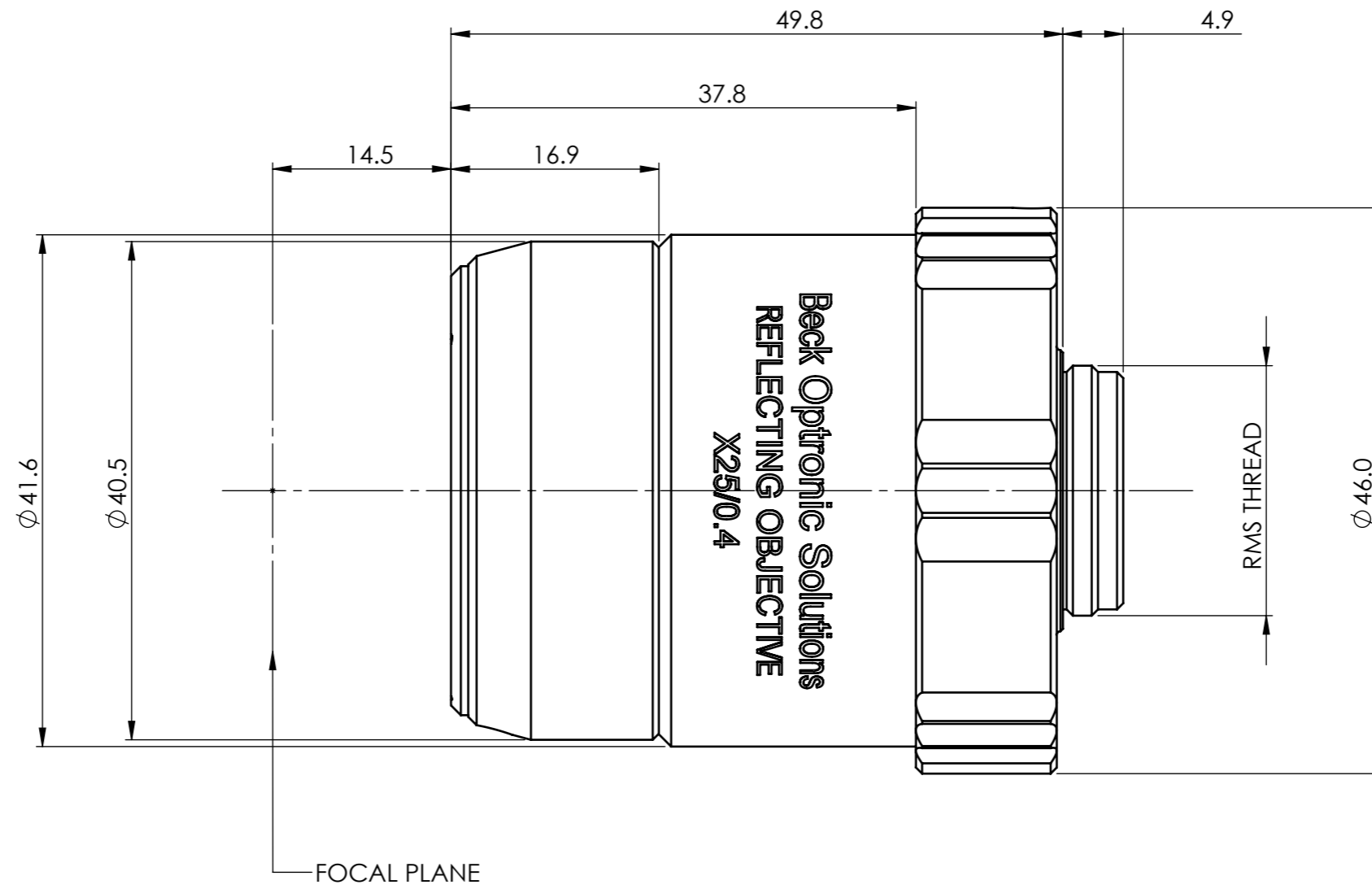


DO NOT SCALE DRAWING



|       |            |     |
|-------|------------|-----|
|       |            |     |
| NZ    | 26/11/2020 | 2   |
| DRAWN | 17/12/2014 | 1   |
| REF.  | DATE       | REV |

TOLERANCES:  
 SURFACE FINISH 1.6µm Ra  
 LINEAR:- 0 ±0.5  
           0.0 ±0.3  
           0.00 ±0.1  
 ANGULAR:- 0° ±2° 0.0° ±0.25°  
 UNLESS OTHERWISE SPECIFIED

DEBURR AND BREAK SHARP EDGES  
 UNLESS OTHERWISE SPECIFIED

THESE DRAWINGS MAY NOT BE USED FOR ANY PURPOSE OUTSIDE THOSE  
 EXPRESSLY AGREED WITH BECK OPTRONIC SOLUTIONS Ltd.  
 © BECK OPTRONIC SOLUTIONS 2020. ALL RIGHTS RESERVED.



|           |         |                                 |
|-----------|---------|---------------------------------|
| MATERIAL: | FINISH: | TITLE:                          |
|           |         | <b>X25/0.4NA REFLECTING O.G</b> |
|           |         | DWG NO.                         |
|           |         | <b>D5003-ID-001</b>             |
|           |         | SCALE: 2:1                      |

|                     |        |
|---------------------|--------|
| USED ON             | -      |
| WEIGHT              | 130.61 |
| <b>CONFIDENTIAL</b> |        |

|       |     |            |         |                     |
|-------|-----|------------|---------|---------------------|
| NAME  | SIG | DATE       | USED ON | DWG NO.             |
| DRAWN | JRB | 17/12/2014 | -       | <b>D5003-ID-001</b> |
| CHK'D | -   | -          |         | <b>A3</b>           |
| APP'D | -   | -          |         | DIMENSIONS IN mm    |

PRINTED 26 November 2020